

MARLIN 90

VACUUM PACKAGING MACHINE



FEATURES

- Standard with 2 seal bars (left-right): 2 x 320 mm
- Standard double seal (two wires). Optional without extra costs: Cut-off/Wide seal
- Seal bars easily removable for cleaning and maintenance purposes
- Pump capacity: 63 m³/h Busch vacuum pump
- Pump maintenance and cleaning program
- Machine cycle: 15-40 sec
- Standard Soft Air to protect the product and vacuum bag
- Standard Digital control with 10 program memory and Time control
- Deep drawn stainless steel vacuum chamber and a transparent lid
- Comes with insert plates for a faster cycle and product adjustment
- Stainless steel exterior

OPTIONS

- 2 seal bars (left (280 mm), front (940 mm))
- Sensor control
- Advanced Control System (ACS)
- Liquid control
- Gas flush

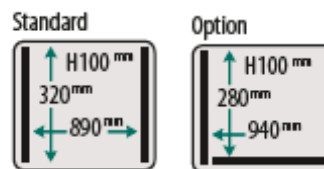
ACCESSORIES

- Zebra ZD410 thermal label printer (only in combination with ACS)
- Inclined insert plate (for packing liquids)
- Service kit for standard maintenance

DESCRIPTION

The robust, stainless steel Marlin 90 vacuum packaging machine is standard equipped with a Busch vacuum pump, a transparent lid and 2 seal bars. This floor model complies with CE standards.

SEAL BAR CONFIGURATIONS



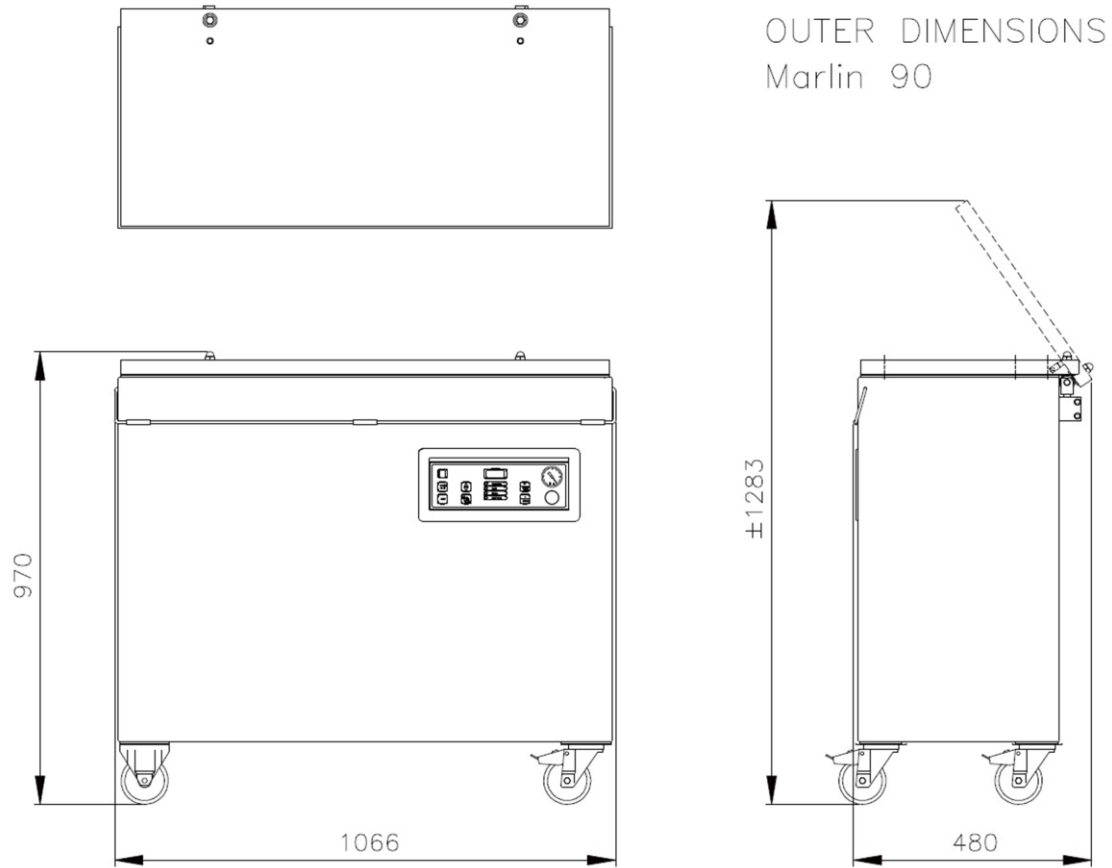
Henkelman offers standard 3 year warranty

VACUUM PACAGING MACHINE MARLIN 90 – SPECS

VACUUM PACKAGING MACHINE MARLIN 90 – SPEC SHEET

DIMENSIONS

In mm



Model	Dimensions (mm)		Voltage*	Pump capacity (m ³ /h)	Power (kW)	Weight (kg)
	Chamber (usable space) L x W x H	Machine L x W x H				
Marlin 90	320 x 890 x 100	480 x 1066 x 970	400V-3-50	63	2,4- 3,5	219

* Other voltages available



HENKELMAN BV
Titaniumlaan 10
5221 CK 's-Hertogenbosch
The Netherlands

Sales support
P +31 73 621 36 71
E info@henkelman.com
Service/technical support
P +31 73 621 36 71
E service@henkelman.com